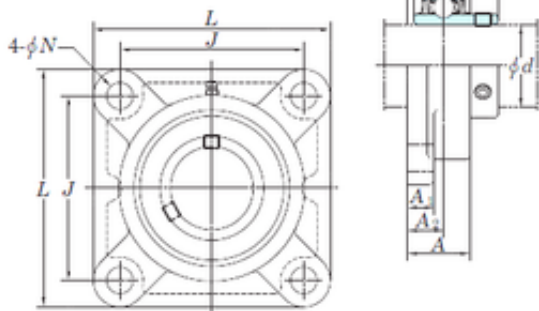




Bearing Rolamentos do Brasil Ltda.

KOYO UCF305-16 bearing units

Bearing No. UCF305-16



UCF305-16 Bearing 2D drawings and 3D CAD models

Bore Diameter	25,4 mm
d	25,4 mm
A0	39 mm
A	29 mm
A1	13 mm
B	38 mm
J	80 mm
L	110 mm
N	16 mm
S	15 mm
Bolt (G)	M14
A2	16 mm
Weight	1,3 Kg
Basic dynamic load rating (C)	21,2 kN
Basic static load rating (C0)	10,9 kN