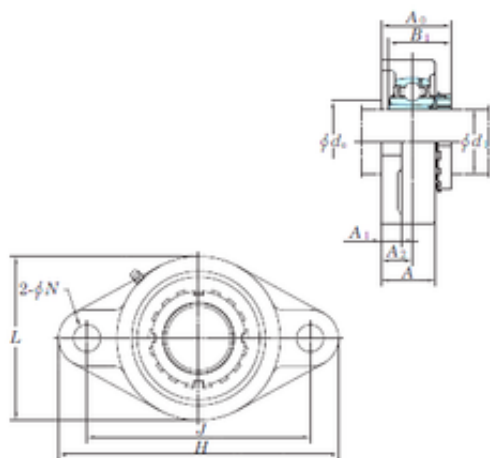




Bearing Rolamentos do Brasil Ltda.



KOYO UKFL317 bearing units

Bearing No. UKFL317

Bore Diameter	76,2 mm
d	76,2 mm
A0	92 mm
A	74 mm
A1	32 mm
B1	82 mm
H	370 mm
J	300 mm
L	220 mm
N	38 mm
Bolt (G)	M33
A2	44 mm
Weight	15,8 Kg
Basic dynamic load rating (C)	133 kN
Basic static load rating (C0)	96,8 kN

UKFL317 Bearing 2D drawings and 3D CAD models