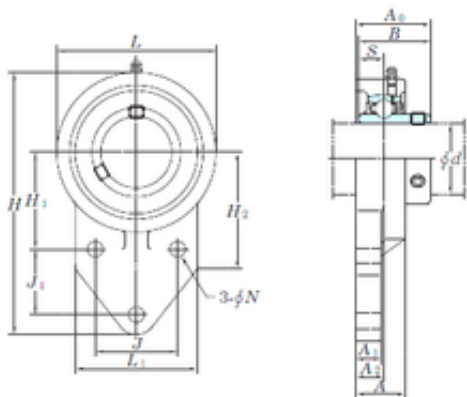




# Bearing Rolamentos do Brasil Ltda.

## KOYO UCFB208 bearing units



Bearing No. UCFB208

Bore Diameter	40 mm
d	40 mm
A0	50,2 mm
A	34 mm
A1	16 mm
B	49,2 mm
H	164 mm
H1	60 mm
H2	72 mm
J	50 mm
L	100 mm
L1	78 mm
N	11 mm
S	19 mm
Bolt (G)	M10
A2	20 mm
J1	41 mm
Weight	1,8 Kg
Basic dynamic load rating (C)	29,1 kN
Basic static load rating (C0)	17,8 kN

UCFB208 Bearing 2D drawings and 3D CAD models