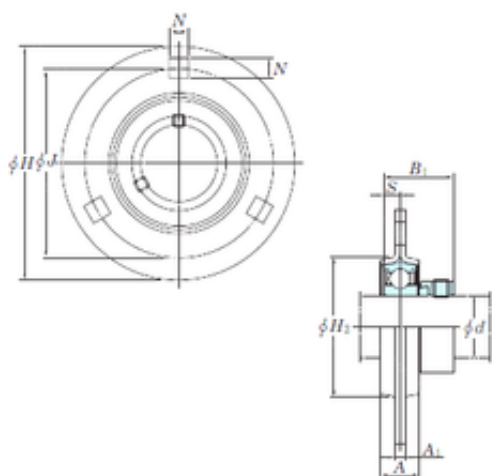




## Bearing Rolamentos do Brasil Ltda.

### KOYO SAPF202-10 bearing units



Bearing No. SAPF202-10

Bore Diameter	15,875 mm
d	15,875 mm
A	14 mm
A1	4 mm
B1	28,5 mm
H	81 mm
H2	49 mm
J	63,5 mm
N	7,1 mm
S	6 mm
Bolt (G)	M6
Weight	0,3 Kg
Basic dynamic load rating (C)	9,55 kN
Basic static load rating (C0)	4,8 kN

SAPF202-10 Bearing 2D drawings and 3D CAD models