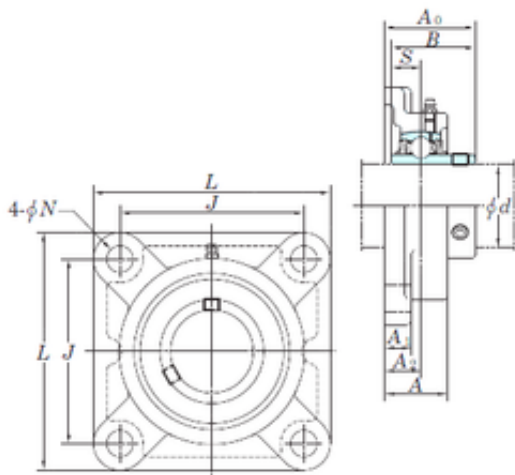




Bearing Rolamentos do Brasil Ltda.



KOYO UCF208E bearing units

Bearing No. UCF208E

Bore Diameter	40 mm
d	40 mm
A0	51,2 mm
A	36 mm
A1	15 mm
B	49,2 mm
J	102 mm
L	130 mm
N	14 mm
S	19 mm
Bolt (G)	1/2
A2	21 mm
Weight	1,9 Kg
Basic dynamic load rating (C)	29,1 kN
Basic static load rating (C0)	17,8 kN

UCF208E Bearing 2D drawings and 3D CAD models