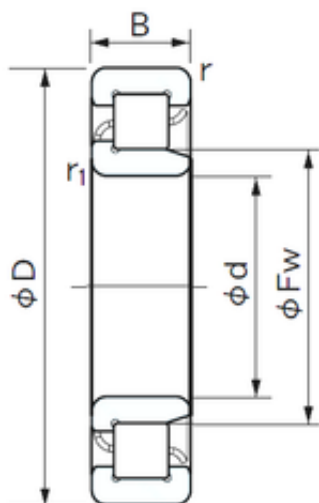




Bearing Rolamentos do Brasil Ltda.



110 mm x 200 mm x 38 mm NACHI NJ 222 E
cylindrical roller bearings

Bearing No. NJ 222 E

| | |
|-------------------------------|---------------|
| Size | 110x200x38 mm |
| Bore Diameter | 110 mm |
| Outer Diameter | 200 mm |
| Width | 38 mm |
| d | 110 mm |
| Fw | 132.5 mm |
| D | 200 mm |
| B | 38 mm |
| r min. | 2.1 mm |
| r1 min. | 2.1 mm |
| Weight | 5.17 Kg |
| Basic dynamic load rating (C) | 293 kN |
| Basic static load rating (C0) | 365 kN |
| (Grease) Lubrication Speed | 2600 r/min |

NJ 222 E Bearing 2D drawings and 3D CAD models