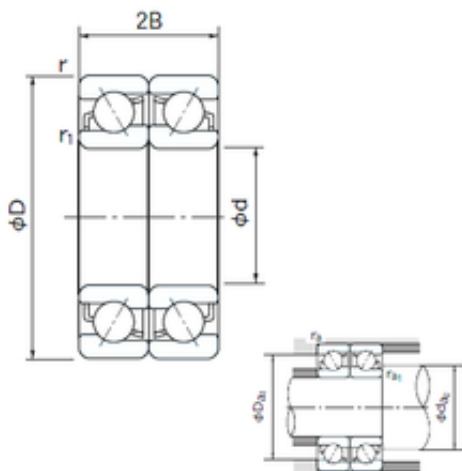




Bearing Rolamentos do Brasil Ltda.



40 mm x 80 mm x 18 mm NACHI 7208CDF
angular contact ball bearings

Bearing No. 7208CDF

7208CDF Bearing 2D drawings and 3D CAD models

Size	40x80x18 mm
Bore Diameter	40 mm
Outer Diameter	80 mm
Width	18 mm
d	40 mm
D	80 mm
B	18 mm
C	18 mm
Angle (°)	15 °
a -	2.1 mm
r min.	1.1 mm
r1 min.	0.6 mm
2B	36 mm
da min.	47 mm
Da max.	75 mm
ra max.	0.6 mm
Weight	0.380 Kg
Basic dynamic load rating (C)	59,5 kN
Basic static load rating (C0)	50,5 kN
(Grease) Lubrication Speed	10000 r/min
Bore Type	Cylindrical Bore
Enclosure	Open
Configuration	Duplex
Bore Size	40 mm
Outside Diameter	80 mm



Bearing Rolamentos do Brasil Ltda.

Width	18 mm
Fillet Radius/Chamfer	1.1 mm
r1	0.6 mm
Dynamic Load Rating	59,500 N
Static Load Rating	50,500 N
Limiting Speed - Grease	10,000 rpm
Limiting Speed - Oil	14,000 rpm
da1 (min)	47 mm
da2 (min)	47 mm
Da1 (max)	73 mm
Da2 (max)	75 mm
ra (max)	1 mm
ra1 (max)	0.6 mm