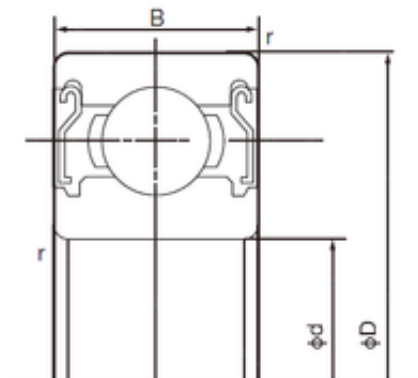




Bearing Rolamentos do Brasil Ltda.

20 mm x 32 mm x 7 mm NACHI 6804ZZE deep groove ball bearings



Bearing No. 6804ZZE

6804ZZE Bearing 2D drawings and 3D CAD models

Size	20x32x7 mm
Bore Diameter	20 mm
Outer Diameter	32 mm
Width	7 mm
d	20 mm
D	32 mm
B	7 mm
C	7 mm
r min.	0.3 mm
da min.	22 mm
Da max.	30 mm
ra max.	0.3 mm
Weight	0.019 Kg
Basic dynamic load rating (C)	4 kN
Basic static load rating (C0)	2,64 kN
Category	Single Row Ball Bearings
Inventory	0.0
Manufacturer Name	NACHI
Minimum Buy Quantity	N/A
Weight / Kilogram	0.018
EAN	4991893802603
Product Group	B00308
Enclosure	2 Metal Shields
Precision Class	ABEC 1 ISO P0
Maximum Capacity / Filling	No



Bearing Rolamentos do Brasil Ltda.

Slot	
Rolling Element	Ball Bearing
Snap Ring	No
Internal Special Features	No
Internal Clearance	C0-Medium
Inch - Metric	Metric
Long Description	20MM Bore; 32MM Outside Diameter; 7MM Outer Race Diameter; 2 Metal Shields; Ball Bearing; ABEC 1 ISO P0; No Filling Slot; No Snap Ring; No Internal Special Features
Category	Single Row Ball Bearing
UNSPSC	31171504
Harmonized Tariff Code	8482.10.50.68
Noun	Bearing
Keyword String	Ball
Manufacturer URL	http://www.nachi.com
Manufacturer Item Number	6804 ZZE BS2M
Weight / LBS	0.04
Outside Diameter	1.26 Inch 32 Millimeter
Outer Race Width	0.276 Inch 7 Millimeter
Bore	0.787 Inch 20 Millimeter
Bore Type	Cylindrical Bore
Configuration	Single Row
Bore Size	20 mm
Width	7 mm
Fillet Radius/Chamfer	0.3 mm
Dynamic Load Rating	4,000 N
Static Load Rating	2,640 N
Limiting Speed - Grease	22,000 rpm
Factor fo	15.5
Radial Clearance	0.005 to 0.020 mm



Bearing Rolamentos do Brasil Ltda.

da (min)	22 mm
Da (max)	30 mm
ra (max)	0.3 mm