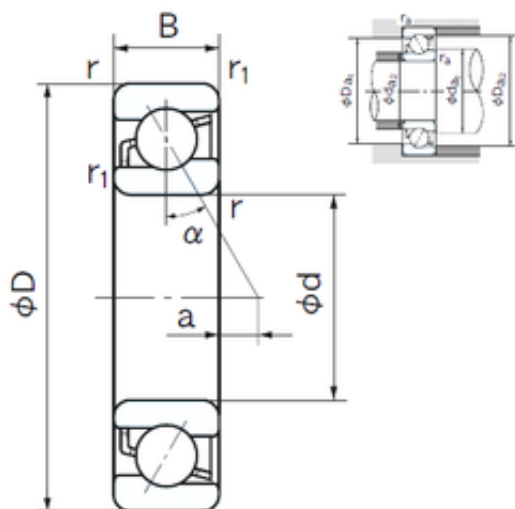




Bearing Rolamentos do Brasil Ltda.



40 mm x 90 mm x 23 mm NACHI 7308C
angular contact ball bearings

Bearing No. 7308C

7308C Bearing 2D drawings and 3D CAD models

Size	40x90x23 mm
Bore Diameter	40 mm
Outer Diameter	90 mm
Width	23 mm
d	40 mm
D	90 mm
B	23 mm
C	23 mm
Angle (°)	15 °
a -	4.0 mm
r min.	1.5 mm
r1 min.	1 mm
da min.	49 mm
Da max.	81 mm
ra max.	1.5 mm
Weight	0.655 Kg
Basic dynamic load rating (C)	49,5 kN
Basic static load rating (C0)	32,5 kN
(Grease) Lubrication Speed	12000 r/min
Configuration	Single Row
Enclosure	Open
Bore Type	Cylindrical Bore
Bore Size	40 mm
Outside Diameter	90 mm
Width	23 mm



Bearing Rolamentos do Brasil Ltda.

Fillet Radius/Chamfer	1.5 mm
r1	1 mm
a	-4 mm
Dynamic Load Rating	49,500 N
Static Load Rating	32,500 N
Limiting Speed - Grease	12,000 rpm
Limiting Speed - Oil	17,000 rpm
da1 (min)	49 mm
da2 (min)	49 mm
Da1 (max)	81 mm
Da2 (max)	84.6 mm
ra (max)	1.5 mm
ra1 (max)	1 mm