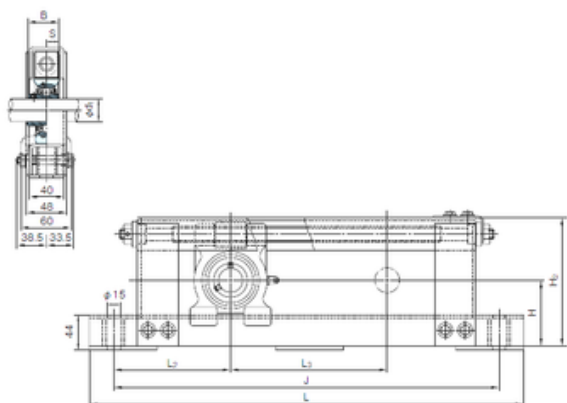




Bearing Rolamentos do Brasil Ltda.

NACHI UCTL207+WL200 bearing units

Bearing No. UCTL207+WL200



Bore Diameter	35 mm
Width	42,9 mm
d	35 mm
L2	150 mm
L3	200 mm
B	42,9 mm
H	92 mm
H2	176 mm
J	500 mm
L	560 mm
S	17,5 mm
Bolt (G)	M12

UCTL207+WL200 Bearing 2D drawings and 3D CAD models