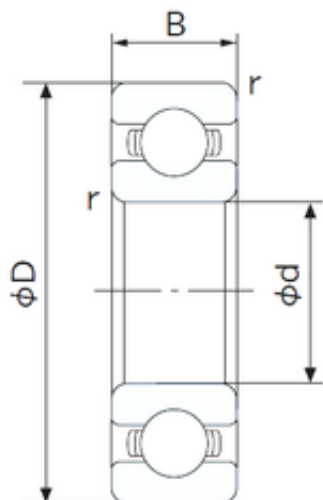




Bearing Rolamentos do Brasil Ltda.



240 mm x 440 mm x 72 mm NACHI 6248 deep groove ball bearings

Bearing No. 6248

6248 Bearing 2D drawings and 3D CAD models

Size	240x440x72 mm
Bore Diameter	240 mm
Outer Diameter	440 mm
Width	72 mm
d	240 mm
D	440 mm
B	72 mm
C	72 mm
r min.	4 mm
da min.	258 mm
Da max.	322 mm
ra max.	3.0 mm
Weight	49.9 Kg
Basic dynamic load rating (C)	340 kN
Basic static load rating (C0)	430 kN
(Grease) Lubrication Speed	1200 r/min
Enclosure	Open
Bore Type	Cylindrical Bore
Configuration	Single Row
Bore Size	240 mm
Outside Diameter	440 mm
Width	72 mm
Fillet Radius/Chamfer	4 mm
Dynamic Load Rating	340,000 N
Static Load Rating	430,000 N



Bearing Rolamentos do Brasil Ltda.

Limiting Speed - Grease	1,200 rpm
Limiting Speed - Oil	1,500 rpm
Factor fo	15.2
Radial Clearance	0.030 to 0.095 mm
da (min)	258 mm
Da (max)	322 mm
ra (max)	3 mm