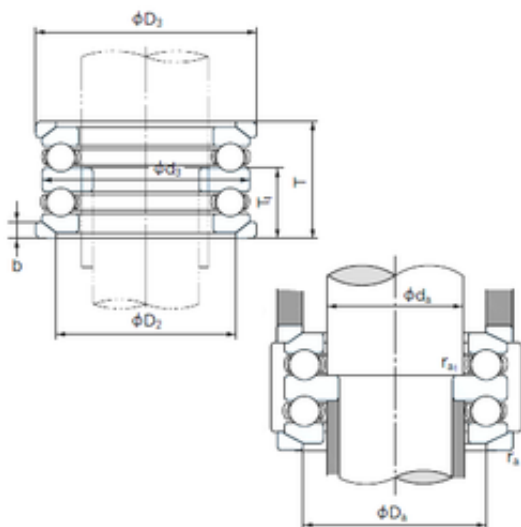




Bearing Rolamentos do Brasil Ltda.



54320U Bearing 2D drawings and 3D CAD models

NACHI 54320U thrust ball bearings

Bearing No. 54320U

Size	100x170x115 mm
Bore Diameter	100 mm
Outer Diameter	170 mm
Width	115 mm
d	100 mm
d2	85 mm
D	170 mm
T	115 mm
ra1 max.	1 mm
T1	68 mm
a	21 mm
b	18 mm
d3	170 mm
r min.	1.5 mm
r1 min.	1 mm
D1	103 mm
D2	135 mm
D3	175 mm
da min.	100 mm
Da max.	135 mm
ra max.	1.5 mm
Weight	10.8 Kg
Basic dynamic load rating (C)	236 kN
Basic static load rating (C0)	595 kN
(Grease) Lubrication Speed	1000 r/min