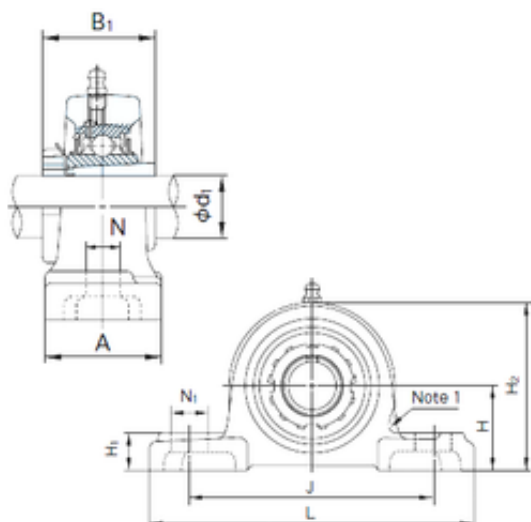




Bearing Rolamentos do Brasil Ltda.



NACHI UKP212+H2312 bearing units

Bearing No. UKP212+H2312

Bore Diameter	55 mm
Width	69,8 mm
d	55 mm
A	70 mm
B1	62 mm
H	69,8 mm
H1	25 mm
H2	138 mm
J	184 mm
L	241 mm
N	20 mm
N1	25 mm
Bolt (G)	M16

UKP212+H2312 Bearing 2D drawings and 3D CAD models