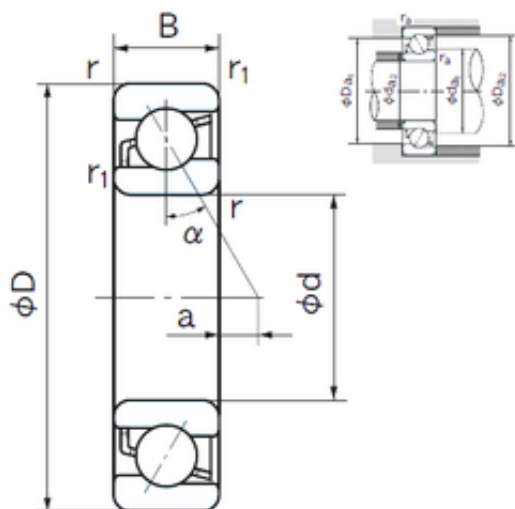




## Bearing Rolamentos do Brasil Ltda.



### 75 mm x 160 mm x 37 mm NACHI 7315B angular contact ball bearings

Bearing No. 7315B

|                               |                               |
|-------------------------------|-------------------------------|
| Size                          | 75x160x37 mm                  |
| Bore Diameter                 | 75 mm                         |
| Outer Diameter                | 160 mm                        |
| Width                         | 37 mm                         |
| d                             | 75 mm                         |
| D                             | 160 mm                        |
| B                             | 37 mm                         |
| C                             | 37 mm                         |
| Angle ( ° )                   | 40 °                          |
| a                             | 30.9 mm                       |
| r min.                        | 2.1 mm                        |
| r1 min.                       | 1.1 mm                        |
| da min.                       | 87 mm                         |
| Da max.                       | 148 mm                        |
| ra max.                       | 2 mm                          |
| Weight                        | 3.15 Kg                       |
| Basic dynamic load rating (C) | 128 kN                        |
| Basic static load rating (C0) | 100 kN                        |
| (Grease) Lubrication Speed    | 3400 r/min                    |
| Category                      | Angular Contact Ball Bearings |
| Inventory                     | 0.0                           |
| Manufacturer Name             | NACHI                         |
| Minimum Buy Quantity          | N/A                           |
| Weight / Kilogram             | 3.151                         |

7315B Bearing 2D drawings and 3D CAD models



## Bearing Rolamentos do Brasil Ltda.

|                                 |   |
|---------------------------------|---|
| EAN                             | 4991893850826   |
| Product Group                   | B00308  |
| Enclosure                       | Open  |
| Flush Ground                    | No  |
| Rolling Element                 | Ball Bearing  |
| Number of Rows of Balls         | Single Row  |
| Precision Class                 | ABEC 1   ISO P0   |
| Maximum Capacity / Filling Slot | No  |
| Snap Ring                       | No  |
| Cage Material                   | Steel   |
| Contact Angle                   | 40 Degree   |
| Internal Clearance              | C0-Medium   |
| Number of Bearings              | 1 (Single)  |
| Inch - Metric                   | Metric  |
| Long Description                | 75MM Bore; 160MM Outside Diameter; 37MM Width; Open; No Flush Ground; Ball Bearing; Single Row of Balls; ABEC 1   ISO P0; No Filling Slot; No Snap Ring |
| Category                        | Angular Contact Ball Bearing  |
| UNSPSC                          | 31171531  |
| Harmonized Tariff Code          | 8482.10.50.28   |
| Noun                            | Bearing   |
| Keyword String                  | Angular Contact   |
| Manufacturer URL                | <a href="http://www.nachi.com">http://www.nachi.com</a>   |
| Manufacturer Item Number        | 7315 B BNLS   |
| Weight / LBS                    | 6.94  |
| Bore                            | 2.953 Inch   75 Millimeter  |
| Outside Diameter                | 6.299 Inch   160 Millimeter   |
| Width                           | 1.457 Inch   37 Millimeter  |
| Configuration                   | Single Row  |



## Bearing Rolamentos do Brasil Ltda.

|                         |                  |
|-------------------------|------------------|
| Bore Type               | Cylindrical Bore |
| Bore Size               | 75 mm            |
| Fillet Radius/Chamfer   | 2.1 mm           |
| r1                      | 1.1 mm           |
| Dynamic Load Rating     | 128,000 N        |
| Static Load Rating      | 100,000 N        |
| Limiting Speed - Grease | 3,400 rpm        |
| Limiting Speed - Oil    | 4,500 rpm        |
| da1 (min)               | 87 mm            |
| da2 (min)               | 82 mm            |
| Da1 (max)               | 148 mm           |
| Da2 (max)               | 153 mm           |
| ra (max)                | 2 mm             |
| ra1 (max)               | 1 mm             |