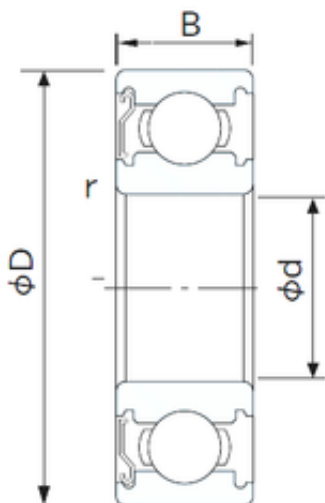




## Bearing Rolamentos do Brasil Ltda.



45 mm x 75 mm x 16 mm NACHI 6009ZE deep groove ball bearings

Bearing No. 6009ZE

6009ZE Bearing 2D drawings and 3D CAD models

|                               |                          |
|-------------------------------|--------------------------|
| Size                          | 45x75x16 mm              |
| Bore Diameter                 | 45 mm                    |
| Outer Diameter                | 75 mm                    |
| Width                         | 16 mm                    |
| d                             | 45 mm                    |
| D                             | 75 mm                    |
| B                             | 16 mm                    |
| C                             | 16 mm                    |
| r min.                        | 1 mm                     |
| da min.                       | 50 mm                    |
| Da max.                       | 70 mm                    |
| ra max.                       | 1.0 mm                   |
| Weight                        | 0.246 Kg                 |
| Basic dynamic load rating (C) | 20,9 kN                  |
| Basic static load rating (C0) | 15,2 kN                  |
| (Grease) Lubrication Speed    | 8800 r/min               |
| Category                      | Single Row Ball Bearings |
| Inventory                     | 0.0                      |
| Manufacturer Name             | NACHI                    |
| Minimum Buy Quantity          | N/A                      |
| Weight / Kilogram             | 0                        |
| Product Group                 | B00308                   |
| Enclosure                     | 1 Metal Shield           |
| Precision Class               | ABEC 1   ISO P0          |
| Maximum Capacity / Filling    | No                       |



## Bearing Rolamentos do Brasil Ltda.

|                           |                                                                                                                                                                                                          |
|---------------------------|----------------------------------------------------------------------------------------------------------------------------------------------------------------------------------------------------------|
| Slot                      |                                                                                                                                                                                                          |
| Rolling Element           | Ball Bearing                                                                                                                                                                                             |
| Snap Ring                 | No                                                                                                                                                                                                       |
| Internal Special Features | No                                                                                                                                                                                                       |
| Cage Material             | Steel                                                                                                                                                                                                    |
| Internal Clearance        | C0-Medium                                                                                                                                                                                                |
| Inch - Metric             | Metric                                                                                                                                                                                                   |
| Long Description          | 45MM Bore; 75MM Outside Diameter; 16MM Outer Race Width; 1 Metal Shield; Ball Bearing; ABEC 1   ISO P0; No Filling Slot; No Snap Ring; No Internal Special Features; C0-Medium Internal Clearance; Steel |
| Other Features            | Deep Groove                                                                                                                                                                                              |
| Category                  | Single Row Ball Bearing                                                                                                                                                                                  |
| UNSPSC                    | 31171504                                                                                                                                                                                                 |
| Harmonized Tariff Code    | 8482.10.50.68                                                                                                                                                                                            |
| Noun                      | Bearing                                                                                                                                                                                                  |
| Keyword String            | Ball                                                                                                                                                                                                     |
| Manufacturer URL          | <a href="http://www.nachiamerica.com">http://www.nachiamerica.com</a>                                                                                                                                    |
| Outer Race Width          | 0.63 Inch   16 Millimeter                                                                                                                                                                                |
| Bore                      | 1.772 Inch   45 Millimeter                                                                                                                                                                               |
| Outside Diameter          | 2.953 Inch   75 Millimeter                                                                                                                                                                               |
| Inner Race Width          | 0 Inch   0 Millimeter                                                                                                                                                                                    |