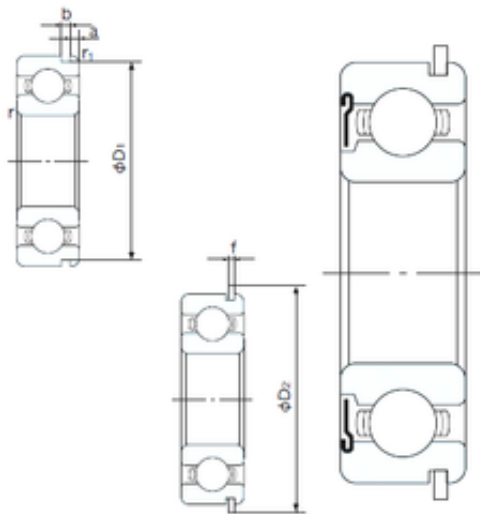




Bearing Rolamentos do Brasil Ltda.



6016ZNR Bearing 2D drawings and 3D CAD models

80 mm x 125 mm x 22 mm NACHI 6016ZNR
deep groove ball bearings

Bearing No. 6016ZNR

Size	80x125x22 mm
Bore Diameter	80 mm
Outer Diameter	125 mm
Width	22 mm
d	80 mm
D	125 mm
B	22 mm
C	22 mm
a	2.87 mm
b	3.1 mm
f	2.82 mm
r min.	1.1 mm
r1 min.	0.5 mm
D1	120.22 mm
D2	134.7 mm
Weight	0.825 Kg
Basic dynamic load rating (C)	47,5 kN
Basic static load rating (C0)	39,5 kN
(Grease) Lubrication Speed	5300 r/min
Enclosure	Single Shield with Snap Ring
Bore Type	Cylindrical Bore
Configuration	Single Row
Bore Size	80 mm
Outside Diameter	125 mm
Width	22 mm



Bearing Rolamentos do Brasil Ltda.

Fillet Radius/Chamfer	1.1 mm
r1	0.5 mm
Snap Ring Width	2.8 mm
Snap Ring Outside Diameter	134.7 mm
D1 (max)	120.2 mm
a (max)	2.9 mm
b (min)	3.1 mm
Dynamic Load Rating	47,500 N
Static Load Rating	39,500 N
Limiting Speed - Grease	5,300 rpm
Limiting Speed - Oil	6,300 rpm
Factor fo	15.6
Radial Clearance	0.010 to 0.030 mm
da (min)	86 mm
Da (max)	119 mm
Dx (min)	136.5 mm
ra (max)	1 mm
Cy (max)	5.3 mm