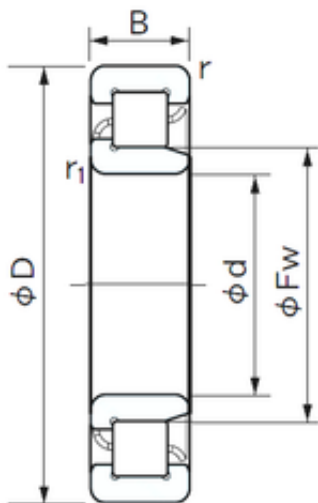




## Bearing Rolamentos do Brasil Ltda.



120 mm x 310 mm x 72 mm NACHI NJ 424  
cylindrical roller bearings

Bearing No. NJ 424

Size	120x310x72 mm
Bore Diameter	120 mm
Outer Diameter	310 mm
Width	72 mm
d	120 mm
Fw	170 mm
D	310 mm
B	72 mm
r min.	5 mm
r1 min.	5 mm
Weight	28.7 Kg
Basic dynamic load rating (C)	670 kN
Basic static load rating (C0)	770 kN
(Grease) Lubrication Speed	1900 r/min

NJ 424 Bearing 2D drawings and 3D CAD models