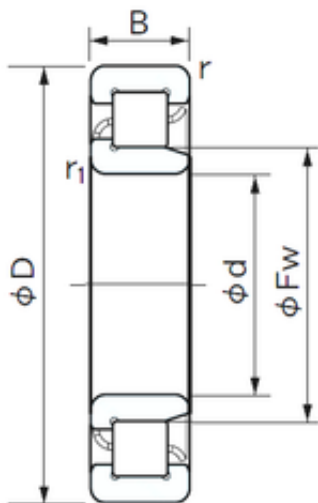




Bearing Rolamentos do Brasil Ltda.



90 mm x 225 mm x 54 mm NACHI NJ 418
cylindrical roller bearings

Bearing No. NJ 418

Size	90x225x54 mm
Bore Diameter	90 mm
Outer Diameter	225 mm
Width	54 mm
d	90 mm
Fw	123.5 mm
D	225 mm
B	54 mm
r min.	4 mm
r1 min.	4 mm
Weight	10.6 Kg
Basic dynamic load rating (C)	375 kN
Basic static load rating (C0)	400 kN
(Grease) Lubrication Speed	2800 r/min

NJ 418 Bearing 2D drawings and 3D CAD models