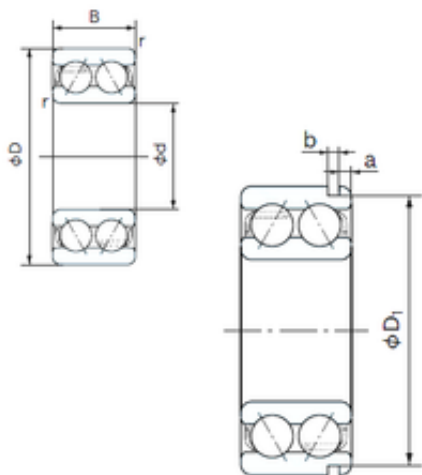




Bearing Rolamentos do Brasil Ltda.



65 mm x 120 mm x 38.1 mm NACHI 5213N
angular contact ball bearings

Bearing No. 5213N

Size	65x120x38.1 mm
Bore Diameter	65 mm
Outer Diameter	120 mm
Width	38.1 mm
d	65 mm
D	120 mm
B	38.1 mm
C	38.1 mm
a	4.06 mm
b	3.1 mm
r min.	1.5 mm
D1	115.21 mm
Weight	1.66 Kg
Basic dynamic load rating (C)	89 kN
Basic static load rating (C0)	77 kN
(Grease) Lubrication Speed	3900 r/min
Bore Type	Cylindrical Bore
Enclosure	Open
Configuration	Double Row
Bore Size	65 mm
Outside Diameter	120 mm
Width	38.1 mm
Fillet Radius/Chamfer	1.5 mm
Groove Width	3.1 mm
Groove Diameter	115.2 mm

5213N Bearing 2D drawings and 3D CAD models



Bearing Rolamentos do Brasil Ltda.

a (max)	4.1 mm
Dynamic Load Rating	89,000 N
Static Load Rating	77,000 N
Limiting Speed - Grease	3,900 rpm
Limiting Speed - Oil	5,300 rpm
Radial Clearance	0.008 to 0.028 mm
da	74 mm
Da	111 mm
Dx	131.5 mm
ra	1.5 mm
Cy	6.5 mm