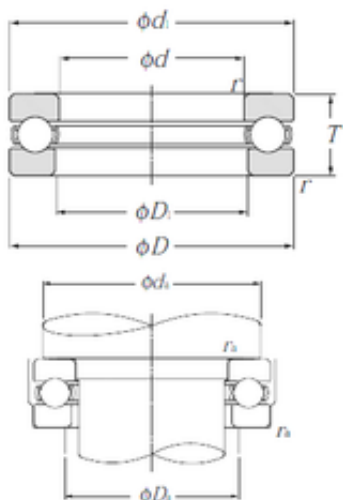




Bearing Rolamentos do Brasil Ltda.



NTN 51116 thrust ball bearings

Bearing No. 51116

Size	80x105x19 mm
Bore Diameter	80 mm
Outer Diameter	105 mm
Width	19 mm
d	80 mm
D	105 mm
T	19 mm
d1	105 mm
r min.	1 mm
D1	82 mm
da min.	95 mm
Da max.	90 mm
ra max.	1 mm
Weight	0,422 Kg
Basic dynamic load rating (C)	44,5 kN
Basic static load rating (C0)	141 kN
(Grease) Lubrication Speed	2 200 r/min
Category	Thrust Ball Bearing
Inventory	0.0
Manufacturer Name	NTN
Minimum Buy Quantity	N/A
Weight / Kilogram	0.401
EAN	4547359306163
Product Group	B00308
Rolling Element	Ball Bearing
Thrust Bearing	Yes

51116 Bearing 2D drawings and 3D CAD models



Bearing Rolamentos do Brasil Ltda.

Single or Double Direction	Single Direction
Banded	No
Cage Material	Steel
Precision Class	ABEC 1 ISO P0
Component Description	Roller Assembly Plus Raceways
Other Features	Single Row With Flat Seat
Long Description	80MM Bore 1; 82MM Bore 2; 105MM Outside Diameter; 19MM Height; Ball Bearing; Single Direction; Not Banded; Steel Cage; ABEC 1 ISO P0 Precision
Inch - Metric	Metric
Category	Thrust Ball Bearings
UNSPSC	31171552
Harmonized Tariff Code	8482.10.50.08
Noun	Bearing
Keyword String	Ball Thrust
Manufacturer URL	http://www.ntnamerica.com
Manufacturer Item Number	51116
Weight / LBS	0.93035
Overall Height with Aligning Washer	0 Inch 0 Millimeter
Outside Diameter	4.134 Inch 105 Millimeter
Bore 1	3.15 Inch 80 Millimeter
Bore 2	3.228 Inch 82 Millimeter
Height	0.748 Inch 19 Millimeter
bore diameter:	80 mm
dynamic load capacity:	44500 N
outside diameter:	105 mm
operating temperature range:	-40 to 120 ° C



Bearing Rolamentos do Brasil Ltda.

overall width:	19 mm
maximum rpm:	3100 rpm
thrust bearing type:	Single-Direction
bearing material:	High Carbon Chrome Steel
outside diameter design:	Straight
cage material:	Steel
separable or banded:	Separable
fillet radius:	1 mm
precision rating:	ISO Class 0
series:	511
static load capacity:	141000 N
manufacturer product page:	Click here