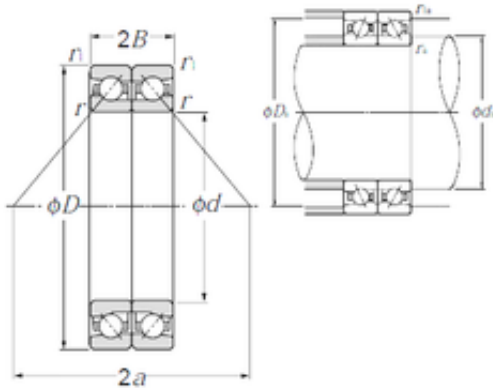




Bearing Rolamentos do Brasil Ltda.

110 mm x 150 mm x 18 mm NTN HTA922DB
angular contact ball bearings



Bearing No. HTA922DB

Size	110x150x18 mm
Bore Diameter	110 mm
Outer Diameter	150 mm
Width	18 mm
d	110 mm
D	150 mm
B	18 mm
C	18 mm
ra1 max.	0,6 mm
r min.	1,1 mm
r1 min.	0,6 mm
2B	36 mm
da min.	120 mm
Da max.	144 mm
ra max.	1 mm
Weight	1,72 Kg
Basic dynamic load rating (C)	49 kN
Basic static load rating (C0)	131 kN
(Grease) Lubrication Speed	4 300 r/min

HTA922DB Bearing 2D drawings and 3D CAD models