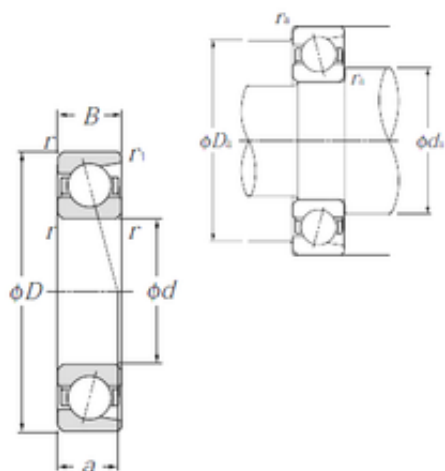




## Bearing Rolamentos do Brasil Ltda.

120 mm x 180 mm x 28 mm NTN 7024C  
angular contact ball bearings



Bearing No. 7024C

Size	120x180x28 mm
Bore Diameter	120 mm
Outer Diameter	180 mm
Width	28 mm
d	120 mm
D	180 mm
B	28 mm
C	28 mm
Angle ( ° )	15 °
a	34 mm
r min.	2 mm
r1 min.	1 mm
Weight	2,04 Kg
Basic dynamic load rating (C)	103 kN
Basic static load rating (C0)	108 kN
(Grease) Lubrication Speed	5 300 r/min
(Oil) Lubrication Speed	7 100 r/min

7024C Bearing 2D drawings and 3D CAD models