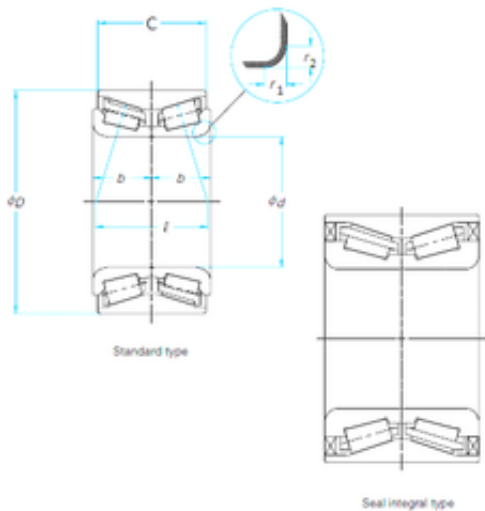




Bearing Rolamentos do Brasil Ltda.



42 mm x 72 mm x 38 mm NTN 4T-
CR1-08A01CS110/L244 tapered roller bearings

Bearing No. 4T-CR1-08A01CS110/L244

Size	42x72x38 mm
Bore Diameter	42 mm
Outer Diameter	72 mm
Width	38 mm
d	42 mm
D	72 mm
B	38 mm
C	35 mm

4T-CR1-08A01CS110/L244 Bearing 2D drawings and
3D CAD models