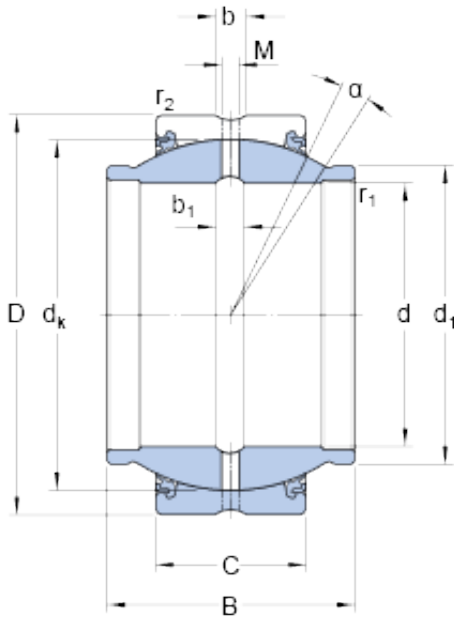




## Bearing Rolamentos do Brasil Ltda.

50.8 mm x 80.963 mm x 76.2 mm SKF GEZM  
200 ES-2LS plain bearings

Bearing No. GEZM 200 ES-2LS



GEZM 200 ES-2LS Bearing 2D drawings and 3D CAD models

Size	80.963x50.8x76.2 mm
Bore Diameter	80,963 mm
Outer Diameter	50,8 mm
Width	76,2 mm
d	50.8 mm
D	80.963 mm
B	76.2 mm
C	38.1 mm
	5 °
d <sub>k</sub>	73.025 mm
d <sub>1</sub>	62.484 mm
b	4.8 mm
b <sub>1</sub>	5 mm
M	4 mm
r <sub>1</sub> - min.	1 mm
r <sub>2</sub> - min.	1 mm
d <sub>a</sub> - min.	56.5 mm
d <sub>a</sub> - max.	62.5 mm
D <sub>a</sub> - min.	72.4 mm
D <sub>a</sub> - max.	75.9 mm
r <sub>a</sub> - max.	1 mm
r <sub>b</sub> - max.	1 mm
Basic dynamic load rating - C	224 kN
Basic static load rating - C <sub>0</sub>	670 kN



## Bearing Rolamentos do Brasil Ltda.

Specific factor dynamic load - K	100 N/mm <sup>2</sup>
Specific factor static load - K <sub>0</sub>	300 N/mm <sup>2</sup>
Constant - K <sub>M</sub>	330
Lubricant	Regular relubrication – grease
Design (sliding contact surface combination)	Steel/steel
Sealing solution	Triple-lip seals
	5 °
d <sub>k</sub>	73.025 mm
d <sub>1</sub>	62.484 mm
b <sub>1</sub>	5 mm
r <sub>1</sub> min.	1 mm
r <sub>2</sub> min.	1 mm
d <sub>a</sub> min.	56.5 mm
d <sub>a</sub> max.	62.5 mm
D <sub>a</sub> min.	72.4 mm
D <sub>a</sub> max.	75.9 mm
r <sub>a</sub> max.	1 mm
r <sub>b</sub> max.	1 mm
Basic dynamic load rating C	224 kN
Basic static load rating C <sub>0</sub>	670 kN
Specific dynamic load factor K	100 N/mm <sup>2</sup>
Specific static load factor K <sub>0</sub>	300 N/mm <sup>2</sup>
Material constant K <sub>M</sub>	330
Mass plain bearing	1.2 kg