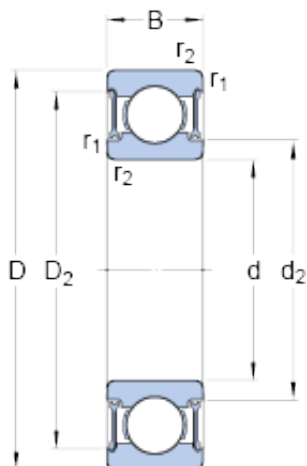




Bearing Rolamentos do Brasil Ltda.



12 mm x 24 mm x 6 mm SKF W 61901-2RZ
deep groove ball bearings

Bearing No. W 61901-2RZ

W 61901-2RZ Bearing 2D drawings and 3D CAD models

Size	24x12x6 mm
Bore Diameter	12 mm
Outer Diameter	24 mm
Width	6 mm
d	12 mm
D	24 mm
B	6 mm
d ₂	15.35 mm
D ₂	21.4 mm
r _{1,2} - min.	0.3 mm
D _a - max.	22 mm
r _a - max.	0.3 mm
Basic dynamic load rating - C	2.5 kN
Basic static load rating - C ₀	1.5 kN
Fatigue load limit - P _u	0.062 kN
Reference speed	67000 r/min
Limiting speed	32000 r/min
Calculation factor - k _r	0.025
Calculation factor - f ₀	14.5
d ₂	15.35 mm
D ₂	21.4 mm
r _{1,2} min.	0.3 mm
d _a min.	14 mm
d _a max.	15 mm



Bearing Rolamentos do Brasil Ltda.

D_a max.	22 mm
r_a max.	0.3 mm
Basic dynamic load rating C	2.51 kN
Basic static load rating C_0	1.46 kN
Fatigue load limit P_u	0.062 kN
Calculation factor k_r	0.025
Calculation factor f_0	14.5
Mass bearing	0.011 kg