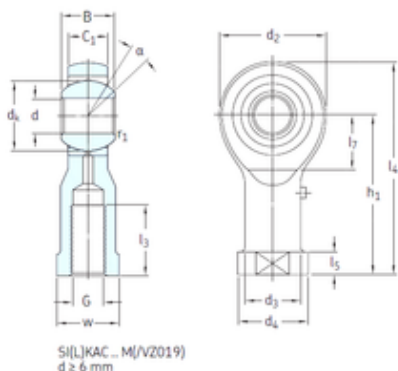




Bearing Rolamentos do Brasil Ltda.

SKF SIKAC6M plain bearings

Bearing No. SIKAC6M



SIKAC6M Bearing 2D drawings and 3D CAD models

Bore Diameter	6 mm
d	6 mm
d2	21 mm
d3	10 mm
d4 max.	14 mm
dk	12,7 mm
h1	30 mm
l3 min.	9 mm
l4 max.	42 mm
l5	5 mm
l7 min.	10 mm
r1 min.	0,3 mm
B	9 mm
C1	7,5 mm
w	11 Tolerance h14
Thread (G)	M6 Tolerance 6H
Angle	13 °
Weight	0,025 Kg
Basic dynamic load rating (C)	4,3 kN