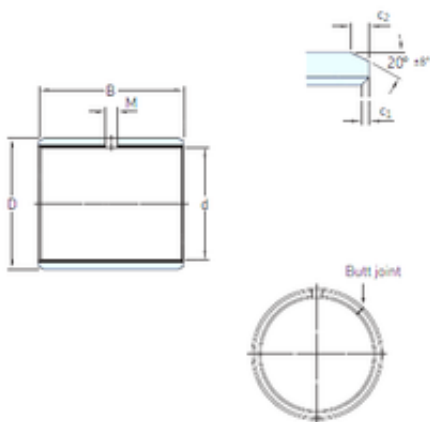




Bearing Rolamentos do Brasil Ltda.

115 mm x 120 mm x 50 mm SKF PCM
11512050 E plain bearings



Bearing No. PCM 11512050 E

Size	115x120x50 mm
Bore Diameter	115 mm
Outer Diameter	120 mm
Width	50 mm
d	115 mm
D	120 mm
B	50 mm
c1 min	0,2 mm
c2 min	1,2 mm
M	– mm
Weight	0,34 Kg
Basic dynamic load rating (C)	450 kN
Category	Bearings
Inventory	0.0
Manufacturer Name	SKF
Minimum Buy Quantity	N/A
Weight / Kilogram	0.411
Product Group	B04264
c ₁ min.	0.2 mm
c ₁ max.	1 mm
c ₂ min.	1.2 mm
c ₂ max.	2.4 mm
± 8	20 °
Tolerance shaft	h8
Tolerance housing	H7

PCM 11512050 E Bearing 2D drawings and 3D CAD models



Bearing Rolamentos do Brasil Ltda.

Basic dynamic load rating - radial direction C	450 kN
Basic static load rating - radial direction C ₀	1400 kN
Specific dynamic load factor K	80 N/mm ²
Specific static load factor K ₀	250 N/mm ²
Factor depending on material and bearing type K _M	480
Permissible sliding velocity v min.	0 m/s
Permissible sliding velocity v max.	2 m/s
Coefficient of friction μ min.	0.03
Coefficient of friction μ max.	0.25
Mass bushing	0.34 kg