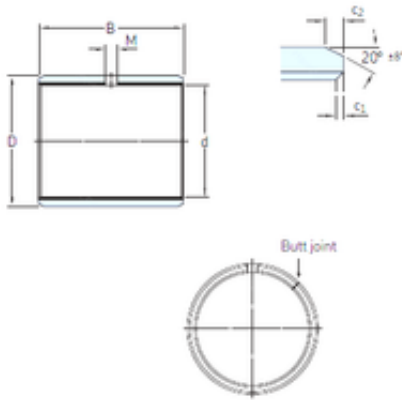




Bearing Rolamentos do Brasil Ltda.



47,625 mm x 52,388 mm x 25,4 mm SKF PCZ
3016 E plain bearings

Bearing No. PCZ 3016 E

PCZ 3016 E Bearing 2D drawings and 3D CAD models

Size	47.625x52.388x25.4 mm
Bore Diameter	47,625 mm
Outer Diameter	52,388 mm
Width	25,4 mm
d	47,625 mm
D	52,388 mm
B	25,4 mm
c1 min	0,2 mm
c2 min	1,2 mm
M	– mm
Weight	0,072 Kg
Basic dynamic load rating (C)	93 kN
c ₁ min.	0.2 mm
c ₁ max.	1 mm
c ₂ min.	1.2 mm
c ₂ max.	2.4 mm
± 8	20 °
Shaft diameter range min.	47.551 mm
Shaft diameter range max.	47.592 mm
Housing bore range min.	52.377 mm
Housing bore range max.	52.408 mm
Basic dynamic load rating - radial direction C	93 kN
Basic static load rating - radial direction C ₀	290 kN



Bearing Rolamentos do Brasil Ltda.

Specific dynamic load factor K	80 N/mm ²
Specific static load factor K_0	250 N/mm ²
Factor depending on material and bearing type K_M	480
Permissible sliding velocity v min.	0 m/s
Permissible sliding velocity v max.	2 m/s
Coefficient of friction μ min.	0.03
Coefficient of friction μ max.	0.25
Mass bushing	0.072 kg