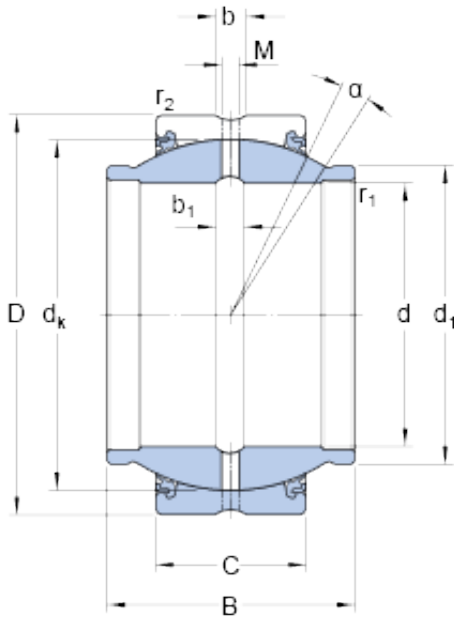




Bearing Rolamentos do Brasil Ltda.

45 mm x 68 mm x 40 mm SKF GEM 45 ES-2LS
plain bearings

Bearing No. GEM 45 ES-2LS



GEM 45 ES-2LS Bearing 2D drawings and 3D CAD models

Size	68x45x40 mm
Bore Diameter	68 mm
Outer Diameter	45 mm
Width	40 mm
d	45 mm
D	68 mm
B	40 mm
C	25 mm
	4 °
d _k	60 mm
d ₁	52 mm
b	4.6 mm
b ₁	4.6 mm
M	3 mm
r ₁ - min.	0.6 mm
r ₂ - min.	1 mm
d _a - min.	49.6 mm
d _a - max.	52 mm
D _a - min.	61 mm
D _a - max.	63.6 mm
r _a - max.	0.6 mm
r _b - max.	1 mm
Basic dynamic load rating - C	127 kN
Basic static load rating - C ₀	640 kN



Bearing Rolamentos do Brasil Ltda.

Specific factor dynamic load - K	100 N/mm ²
Specific factor static load - K ₀	500 N/mm ²
Constant - K _M	330
Lubricant	Regular relubrication – grease
Design (sliding contact surface combination)	Steel/steel
Sealing solution	Triple-lip seals
	4 °
d _k	60 mm
d ₁	52 mm
b ₁	4.6 mm
r ₁ min.	0.6 mm
r ₂ min.	1 mm
d _a min.	49.6 mm
d _a max.	52 mm
D _a min.	61 mm
D _a max.	63.6 mm
r _a max.	0.6 mm
r _b max.	1 mm
Basic dynamic load rating C	127 kN
Basic static load rating C ₀	640 kN
Specific dynamic load factor K	100 N/mm ²
Specific static load factor K ₀	500 N/mm ²
Material constant K _M	330
Mass plain bearing	0.49 kg