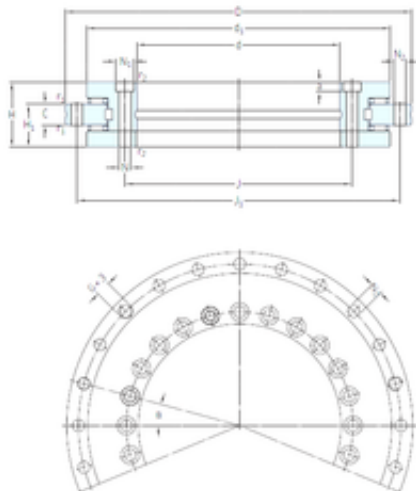




## Bearing Rolamentos do Brasil Ltda.



### SKF NRT 150 A thrust roller bearings

Bearing No. NRT 150 A

Size	150x240x12 mm
Bore Diameter	150 mm
Outer Diameter	240 mm
Width	12 mm
d	150 mm
D	240 mm
C	12 mm
H	40 mm
Suitable rotary table	350
a	6,2 mm
d1	214 mm
r1 min.	0,6 mm
r2 min.	0,3 mm
H1	26 mm
J	165 mm
N	7 mm
N1	11 mm
Thread (G)	M8
J1	225 mm
N2	7 mm
Weight	6,2 Kg
Dynamic load rating radial (C)	67,1 kN
Dynamic load rating axial (C)	75 kN
Static load rating radial (C0)	160 kN
Static load rating axial (C0)	480 kN

NRT 150 A Bearing 2D drawings and 3D CAD models



## Bearing Rolamentos do Brasil Ltda.

(Grease) Lubrication Speed	210 r/min
(Oil) Lubrication Speed	420 r/min
Attachment holes nr. Inner ring	34
Attachment holes nr. Outer ring	33
Removal thread nr.	3
Pitch nr. x a	36x10
Retaining bolts. Size	M6