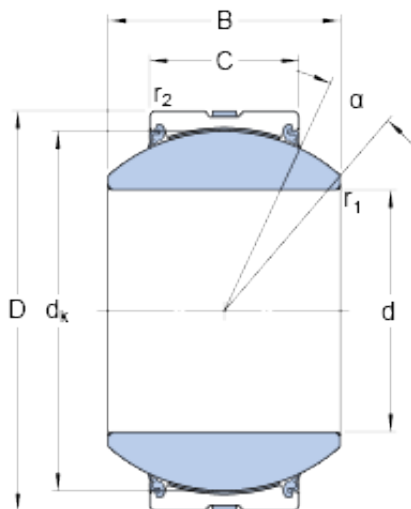




Bearing Rolamentos do Brasil Ltda.



GEH 80 TXG3A-2LS Bearing 2D drawings and 3D CAD models

80 mm x 130 mm x 75 mm SKF GEH 80 TXG3A-2LS plain bearings

Bearing No. GEH 80 TXG3A-2LS

Size	130x80x75 mm
Bore Diameter	130 mm
Outer Diameter	80 mm
Width	75 mm
d	80 mm
D	130 mm
B	75 mm
C	50 mm
	14 °
dk	115 mm
r ₁ - min.	1 mm
r ₂ - min.	1 mm
d _a - min.	87.1 mm
d _a - max.	87.1 mm
D _a - min.	113 mm
D _a - max.	123 mm
r _a - max.	1 mm
r _b - max.	1 mm
Basic dynamic load rating - C	1370 kN
Basic static load rating - C ₀	2320 kN
Specific factor dynamic load - K	300 N/mm ²
Specific factor static load - K ₀	500 N/mm ²
Lubricant	Maintenance free – dry



Bearing Rolamentos do Brasil Ltda.

	Lubrication
Design (sliding contact surface combination)	Steel/PTFE fabric
Sealing solution	Triple-lip seals
	14 °
d_k	115 mm
r_1 min.	1 mm
r_2 min.	1 mm
d_a min.	87.1 mm
d_a max.	87.1 mm
D_a min.	113 mm
D_a max.	123 mm
r_a max.	1 mm
r_b max.	1 mm
Basic dynamic load rating C	1370 kN
Basic static load rating C_0	2320 kN
Specific dynamic load factor K	300 N/mm ²
Specific static load factor K_0	500 N/mm ²
Mass plain bearing	3.5 kg