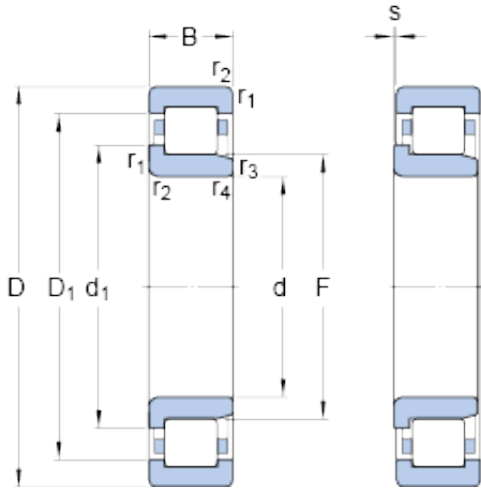




## Bearing Rolamentos do Brasil Ltda.



170 mm x 260 mm x 42 mm SKF NJ 1034 ML  
thrust ball bearings

Bearing No. NJ 1034 ML

NJ 1034 ML Bearing 2D drawings and 3D CAD models

Size	260x170x42 mm
Bore Diameter	260 mm
Outer Diameter	170 mm
Width	42 mm
d	170 mm
D	260 mm
B	42 mm
d <sub>1</sub>	201 mm
D <sub>1</sub>	226.9 mm
F	193 mm
r <sub>1,2</sub> - min.	2.1 mm
r <sub>3,4</sub> - min.	2.1 mm
s	5.8 mm
d <sub>a</sub> - min.	180 mm
d <sub>a</sub> - max.	189 mm
d <sub>b</sub> - min.	206 mm
D <sub>a</sub> - max.	250 mm
r <sub>a</sub> - max.	2 mm
Basic dynamic load rating - C	275 kN
Basic static load rating - C <sub>0</sub>	400 kN
Fatigue load limit - P <sub>u</sub>	41.5 kN
Reference speed	2800 r/min
Limiting speed	4300 r/min
Calculation factor - k <sub>r</sub>	0.15



## Bearing Rolamentos do Brasil Ltda.

$d_1$	201 mm
$D_1$	226.9 mm
$r_{1,2}$ min.	2.1 mm
$r_{3,4}$ min.	2.1 mm
s max.	5.8 mm
$d_a$ min.	180 mm
$d_a$ max.	189 mm
$d_b$ min.	206 mm
$D_a$ max.	250 mm
$r_a$ max.	2 mm
Basic dynamic load rating C	275 kN
Basic static load rating $C_0$	400 kN
Fatigue load limit $P_u$	41.5 kN
Calculation factor $k_r$	0.15
Limiting value e	0.2
Axial load factor Y	0.6
Mass bearing	8.18 kg
Angle ring	HJ 1034