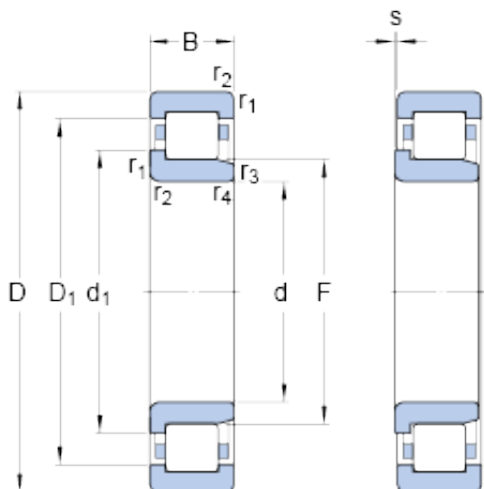




Bearing Rolamentos do Brasil Ltda.



90 mm x 160 mm x 40 mm SKF NJ 2218 ECJ
thrust ball bearings

Bearing No. NJ 2218 ECJ

NJ 2218 ECJ Bearing 2D drawings and 3D CAD models

Size	160x90x40 mm
Bore Diameter	160 mm
Outer Diameter	90 mm
Width	40 mm
d	90 mm
D	160 mm
B	40 mm
d ₁	114 mm
D ₁	138.5 mm
F	107 mm
r _{1,2} - min.	2 mm
r _{3,4} - min.	2 mm
s	2.6 mm
d _a - min.	101 mm
d _a - max.	104 mm
d _b - min.	117 mm
D _a - max.	149 mm
r _a - max.	2 mm
Basic dynamic load rating - C	280 kN
Basic static load rating - C ₀	315 kN
Fatigue load limit - P _u	39 kN
Reference speed	4500 r/min
Limiting speed	5000 r/min
Calculation factor - k _r	0.2



Bearing Rolamentos do Brasil Ltda.

d_1	114 mm
D_1	138.5 mm
$r_{1,2}$ min.	2 mm
$r_{3,4}$ min.	2 mm
s max.	2.6 mm
d_a min.	101 mm
d_a max.	104 mm
d_b min.	117 mm
D_a max.	149 mm
r_a max.	2 mm
Basic dynamic load rating C	280 kN
Basic static load rating C_0	315 kN
Fatigue load limit P_u	39 kN
Calculation factor k_r	0.2
Limiting value e	0.3
Axial load factor Y	0.4
Mass bearing	3.2 kg
Angle ring	HJ 2218 EC